

**M12 female 90° with cable F&B Pro**

TPE-S 4x0.34 bu UL robot+drag chain 20m

Plug Connectors for Food & Beverage

Further cable lengths on request.

Female 90°

M12 F&B Pro

4-pole

Stainless steel 1.4404 (V4A)

without cable sleeves

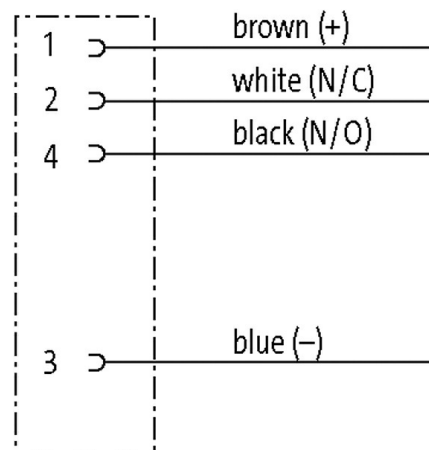
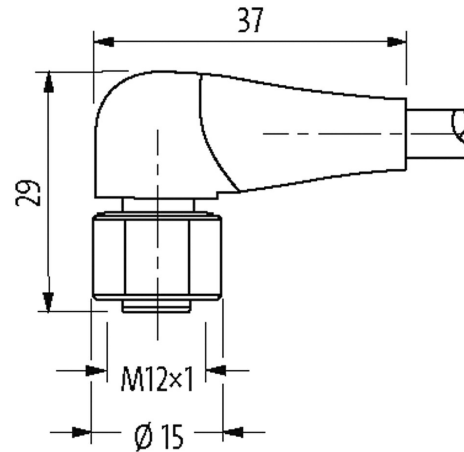
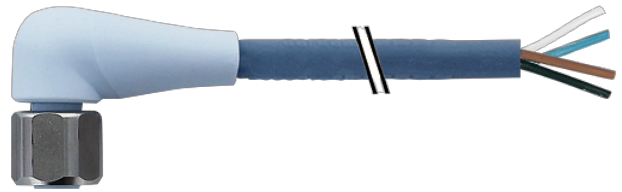
IP69K

Plastic housings with good resistance against chemicals and oils.

The resistance to aggressive media should be individually tested for your application. Further details on request.

[Link to Product](#)

**Illustration**



Product may differ from Image

### Approvals




\* only for products with UL/CSA approved cable

### Form

Form 12341

### General data

|                            |                                       |
|----------------------------|---------------------------------------|
| Standards                  | DIN EN 61076-2-101 (M12), FDA conform |
| Mounting method            | inserted, tightened                   |
| Material (contact)         | Copper alloy                          |
| Material (contact surface) | Au                                    |
| Material (contact carrier) | PP, ice blue                          |
| Material (gasket)          | EPDM                                  |

|                                    |  |
|------------------------------------|--|
| Pollution Degree                   | 3  |
| Stripping length (jacket)          | 20 mm  |
| Temperature range                  | -40...+105 °C, depending on cable quality  |
| <b>Cables</b>                      |  |
| Cable number                       | 321  |
| No./diameter of wires              | 4 × 0.34 mm <sup>2</sup>   |
| Wire isolation                     | PP (br, wh, bl, bk)  |
| C-track properties                 | 4 Mio.   |
| Jacket Color                       | pastel blue  |
| Material (jacket)                  | TPE-S  |
| Outer Ø                            | 4.7 mm ±5%   |
| Bend radius (moving)               | 10 × outer Ø   |
| Temperature range (fixed)          | -40...+105 °C  |
| Temperature range (mobile)         | -25...+105 °C  |
| Cable identification               | 321  |
| Approval (cable)                   | UL (AWM-Style 22126/11558), CE conform   |
| Cable weight [g/m]                 | 29,70  |
| Material (wire)                    | Cu wire, bare  |
| Resistor (core)                    | max. 58 Ω/km (20 °C)   |
| Single wire Ø (core)               | 0.1 mm   |
| Construction (core)                | 42 × 0.1 mm (multi-strand wire class 6)  |
| Diameter (core)                    | 4 × 0.34 mm <sup>2</sup>   |
| AWG                                | similar to AWG 22  |
| Material (wire isolation)          | PP   |
| Material property (wire isolation) | CFC-, halogen-, cadmium-, silicone- and lead-free  |
| Shore hardness (wire isolation)    | 64 ±3 D  |
| Wire-Ø incl. isolation             | 1.27m ±5%  |
| Color/numbering of wires           | br, bk, bl, wh   |
| Stranding combination              | 4 wires twisted  |
| Shield                             | no   |
| Material (jacket)                  | TPE-S (laser-markable)   |
| Material property (jacket)         | CFC-, halogen-, cadmium-, silicone- and lead-free, matt, low-adhesion, machine easy to process, abrasion-resistant, hydrolysis and microbial resistant |
| Shore hardness (jacket)            | 47 ±5 D  |
| Outer-Ø (jacket)                   | 4.7 mm ±5%   |
| Color (jacket)                     | pastel blue  |
| Nominal voltage                    | 300 V AC   |
| Test voltage                       | 3000 V AC  |
| Current load capacity              | to DIN VDE 0298-4  |
| Temperature range (fixed)          | -40...+105 °C  |
| Temperature range (mobile)         | -25...+105 °C  |
| Bend radius (fixed)                | 5 × outer Ø  |
| Bend radius (moving)               | 10 × outer Ø   |
| No. of bending cycles (C-track)    | max. 4 Mio. (25 °C)  |
| Traversing distance (C-track)      | max. 10 m  |
| Travel speed (C-track)             | max. 3 m/s   |
| Acceleration (C-track)             | max. 10 m/s <sup>2</sup>   |
| Torsion stress                     | ±180°/m  |
| No. of torsion cycles              | max. 2 Mio. (25 °C)  |

Torsion speed 35 cycles/min

**Technical Data**

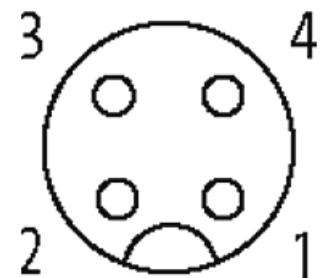
|   |  |
|---|--|
| Operating voltage                         | max. 250 V AC/DC   |
| Operating voltage (only UL listed)        | max. 30 V AC/DC  |
| Rated surge voltage                       | 2.5 kV   |
| Operating current per contact             | max. 4 A   |
| No. of poles                              | 4-pole   |
| Material group                            | IEC 60664-1, category I  |
| Coding                                    | A-coded  |
| LED display                               | no   |
| Locking of ports                          | Screw thread (M12×1 mm) recommended torque 0.6 Nm, self-securing |
| Compression gland                         | M12 (SW14)   |
| Protection                                | IP65, IP68, IP69K inserted and tightened (EN 60529)              |
| Material                                  | PP   |
| Locking material                          | Stainless steel 1.4404 (V4A)                                     |
| suitable for corrugated tube (internal Ø) | without  |

**Commercial data**

|                       |               |
|-----------------------|---------------|
| country of origin     | DE            |
| customs tariff number | 85444290      |
| EAN                   | 4048879786089 |
| eClass                | 27279218      |
| Packaging unit        | 1             |

**Sketch**

Female



Product may differ from Image